

Features

- **CABLE AND PARALLEL PORT ADAPTER FACILITATE IN-SYSTEM PROGRAMMING OF ISP™ DEVICE FAMILIES**
 - Simplifies In-System Programming
 - Ideal for Design Prototyping and Debugging
- **SUPPORTS ALL ISP DEVICE FAMILIES**
 - ispLSI Families (1000, 1000E, 2000, 2000E, 2000V, 3000, 5000V, 6000 and 8000)
 - ispGAL Family
 - ispGDX Family
 - ispGDS Family
- **EASY-TO-USE CONNECTORS**
 - 25-Pin Adapter Connects to PC Parallel Printer Port
 - 6' Cable Offers Printed Circuit Board Interface:
 - AMP Connector (8 Position, .100 Inch Center Spacing)

ispDOWNLOAD Cable for the PC

The ispDOWNLOAD Cable for the PC is designed to facilitate in-system programming of all Lattice Semiconductor ISP devices on a printed circuit board directly from the parallel port of a PC. With in-system programmability, hardware functions can be programmed and modified in real-time on the system board to give additional product features, shorten system design and debug cycle time, enhance product manufacturability and simplify field upgrades. After completion of the logic design and creation of a JEDEC file by a logic compiler such as the ispEXPERT™ Compiler and Systems or ispGDX Development System, Lattice's ISP Daisy Chain Download software programs devices on the end-product board by generating programming signals directly from the parallel port of a PC which then pass through the ispDOWNLOAD Cable to the device. With this cable and a connector on the board, no additional components are required for programming. The ISP Daisy Chain Download software automatically generates the appropriate ISP command, programming address and data from the JEDEC fuse map information. ISP Daisy Chain Download software is included with all Lattice design tool products.

Figure 1. ispDOWNLOAD Cable In-System Programming Interface for the PC

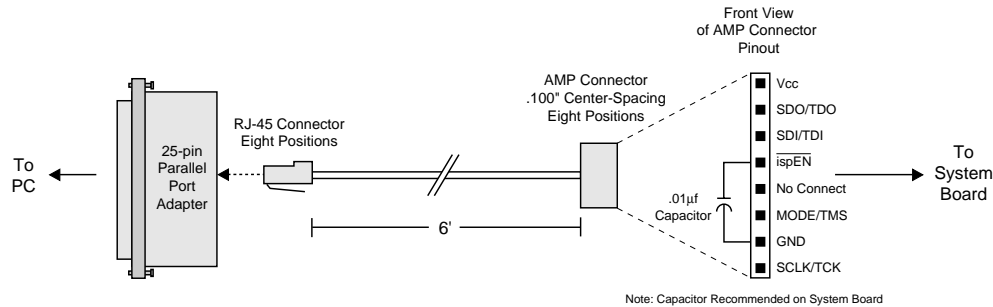


Figure 2. ispDOWNLOAD Cable In-System Programming Interface for the Sun Workstation

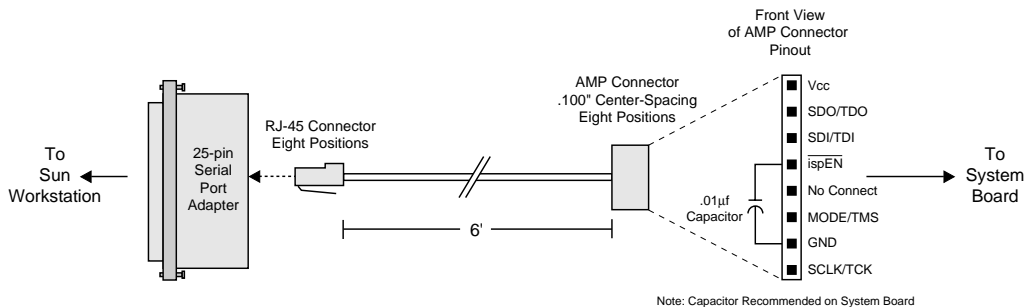
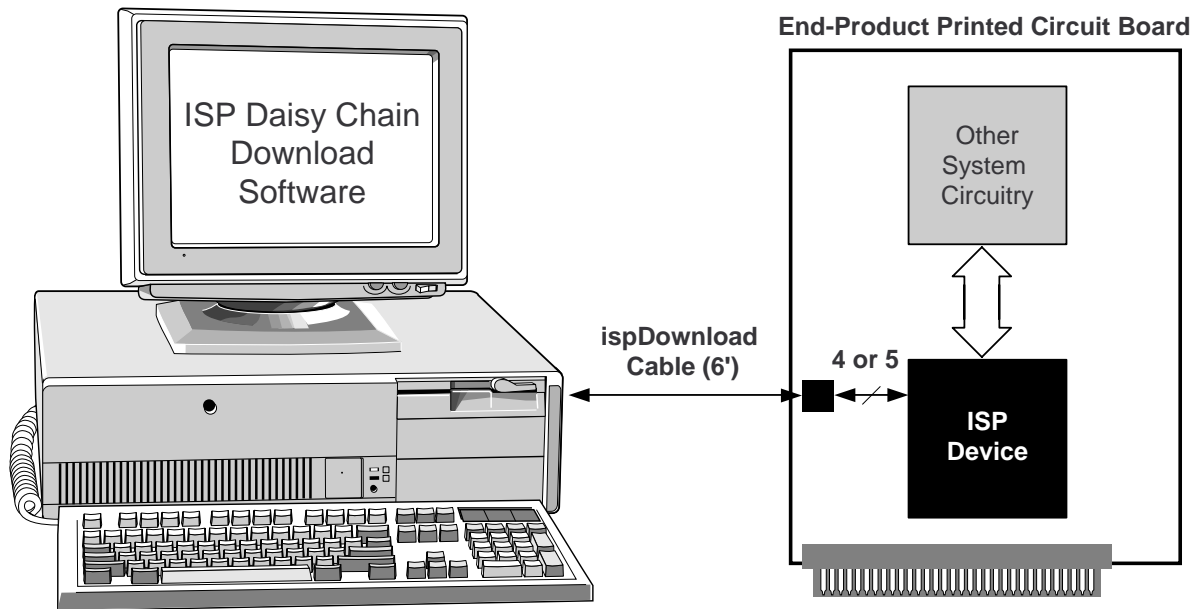


Figure 3. Configuring In-System Programming from a Remote System



ispDOWNLOAD Cable for Sun Workstation

The ispDOWNLOAD Cable for the Sun Workstation provides a quick and easy means for programming all Lattice ISP devices from a Sun Workstation. Setting up the workstation ispDOWNLOAD cable is as simple as connecting the serial interface adapter to the RS-232 port of the workstation and connecting the ispDOWNLOAD cable assembly to the target ISP system.

The serial interface adapter contains an embedded controller that handles programming commands from the host workstation to the target system and processes them for proper ISP operation. Additional features of the serial interface adapter include:

- Automatic baud rate detection for 300 baud to 115,200 baud operations
- Operational at supply voltages of 3.3V or 5V
- Standard Lattice ISP programming interface and ispJTAG™ interface (IEEE 1149.1) support
- RJ-45 interface jack for easy ISP cable assembly replacement
- Compact size and low power requirements
- Easy interface to the Lattice isp Engineering Kit Model 100 for single ispLSI device programming

The ispDOWNLOAD cable assembly provides an interface between the ISP signals from the serial interface adapter and the target ISP system. The features of the ispDOWNLOAD cable assembly include:

- Six feet of eight-conductor flat cable with an RJ-45 connector on one end and an eight-position female header assembly on the other end
- RJ-45 connector for reliable and easy interfacing to the serial interface adapter
- Eight-position female header connector with .10" pin spacing for quick and low-cost interfacing to ISP target systems with a mating header pin strip. Keying is provided on the header connector for proper interfacing orientation
- Header connector assembly with super flexible wiring for durability

Product Ordering Information

Product Description	Part Number
ispDOWNLOAD Cable (for the PC only). Contains 6' cable with RJ45 and AMP connectors, parallel port adapter, documentation and ISP Daisy Chain Download Software for the PC. Version 2 supports ISP/ispJTAG 5V/3.3V mixed chain programming.	pDS4102-DL2
ispDOWNLOAD Cable (for the Sun Workstation only). Contains 6' cable with RJ45 and AMP connectors, parallel port adapter, documentation and ISP Daisy Chain Download Software for the Sun Workstation.	pDS4102-WS

Technical Support Assistance

Hotline: 1-800-LATTICE (Domestic)
1-408-428-6414 (International)
FAX: 1-408-944-8450
email: ispLSlapps@latticesemi.com